

Modular LCD-/ plasma TV mounts

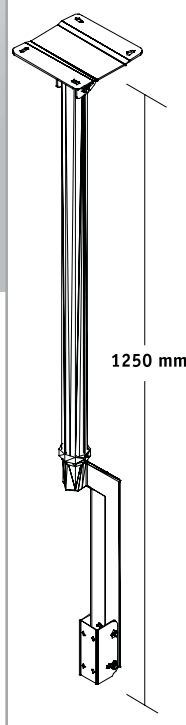
for mounting on wall or ceiling

A system for overview



54.232

Our plasma mounting solutions enable the viewers a perfect sight on the screen. The screens are adjustable for optimal configuration. Suitable for screens of 32-60" with a maximum load capacity of 80 kg. The strong, steel construction with a reinforced wall plate and additional strengthening mounting plate makes it possible to install it anywhere. The screens can tilt 30° and rotate 180°. (54.102 not included) Colour Ral 9006 (alu), TÜV/GS approved.

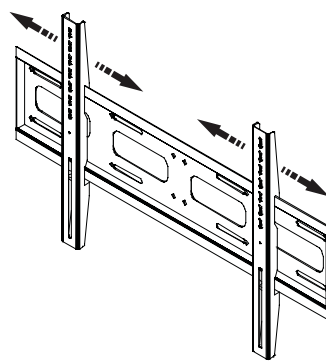


1250 mm

54.102



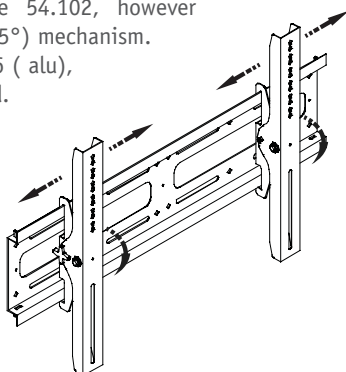
Modular mounting frame for plasma/LCD TV screens. Its load capacity is max. 80 kg. Extremely strong steel sheet construction. Suitable for mounting



directly on wall, or indirectly on swivel arm (54.212) or ceiling mount (54.232) Colour: Ral 9006 (alu), TÜV/GS approved.

54.152

Identical to the 54.102, however with tilt (max.15°) mechanism. Colour: Ral 9006 (alu), TÜV/GS approved.



- Suitable for almost all 32-60" screens
- Quick and easy to install
- Max. load cap. upto 80 kg.
- TÜV/GS approved
- 5 years guarantee

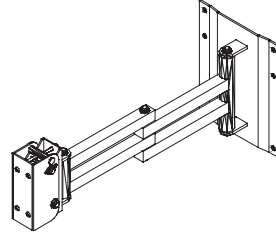
Modular LCD-/ plasma TV mounts

for mounting on wall or ceiling

54.212



Swivel arm for wall mounting with a maximum load capacity of 80 kg. Can swivel over 180/270° and has a reach of 630 mm (minimum depth 220 mm) and a tilt of max. 15°. Made of heavy steel sections. To be combined with the 54.102. Colour: Ral 9006 (alu), TÜV/GS approved.



51.772

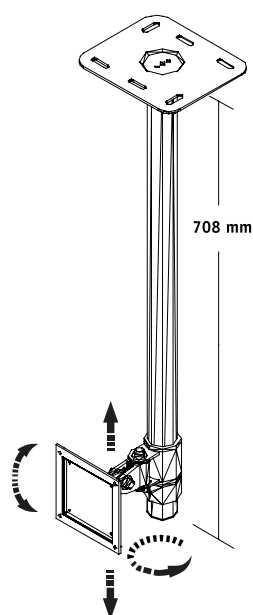
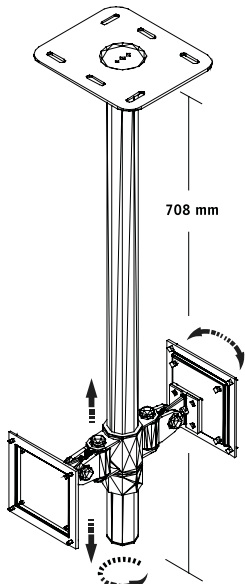


'Viewnight' LCD monitor ceiling mount. Suitable for 14-22" screens with a total load capacity of 20 kg. (10 kg/screen). Colour: Ral 9006 (alu), TÜV/GS approved.

51.762



'Viewnight' LCD monitor ceiling mount. Suitable for a 14-22" screen with a total load capacity of 10 kg. Colour: Ral 9006 (alu), TÜV/GS approved.



78.382



Beamer ceiling mount with a maximum of 243 mm (min. 160 mm). Tilt and swivel of 15°. Colour: Ral 9006 (alu), TÜV/GS approved.



- Suitable for presentation / information applications
- Quick and easy to install
- Max. load cap. upto 60 kg.
- TÜV/GS approved
- 5 years guarantee

Delivery excluding screens and beamer.