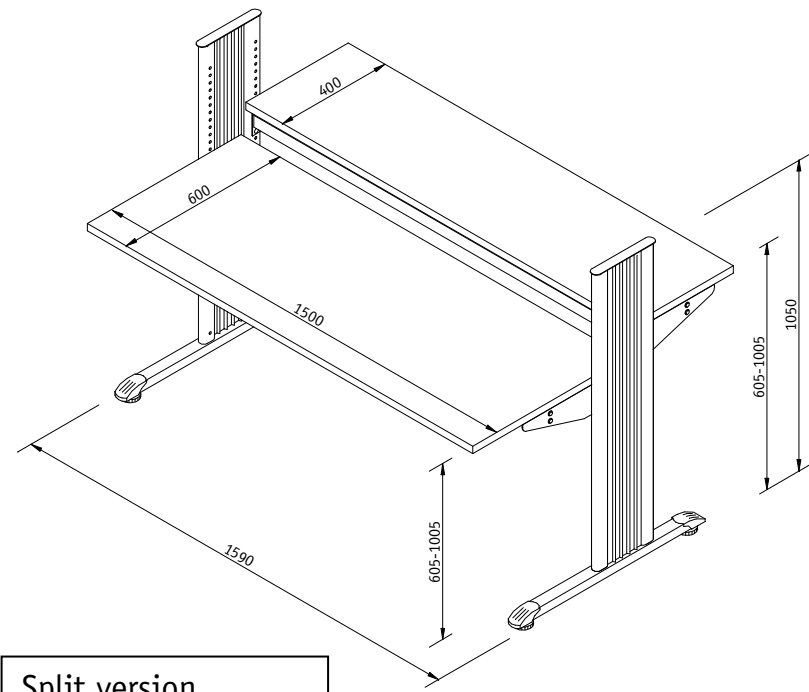
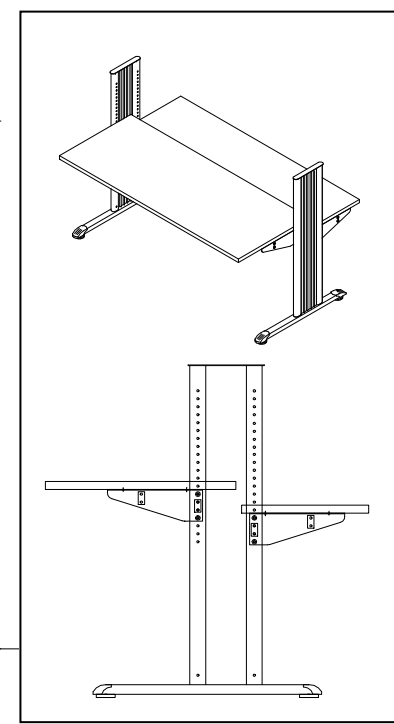
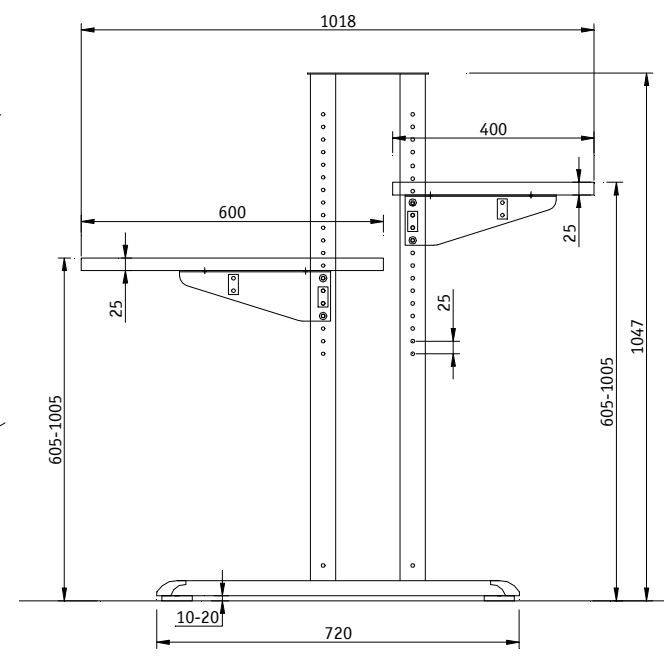


DATA-INFO
61.150/3

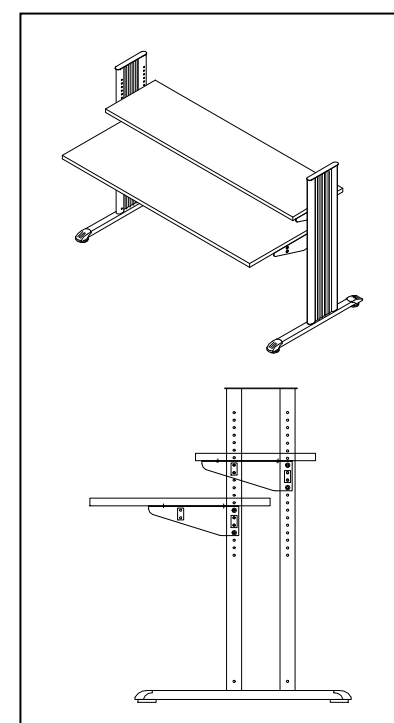
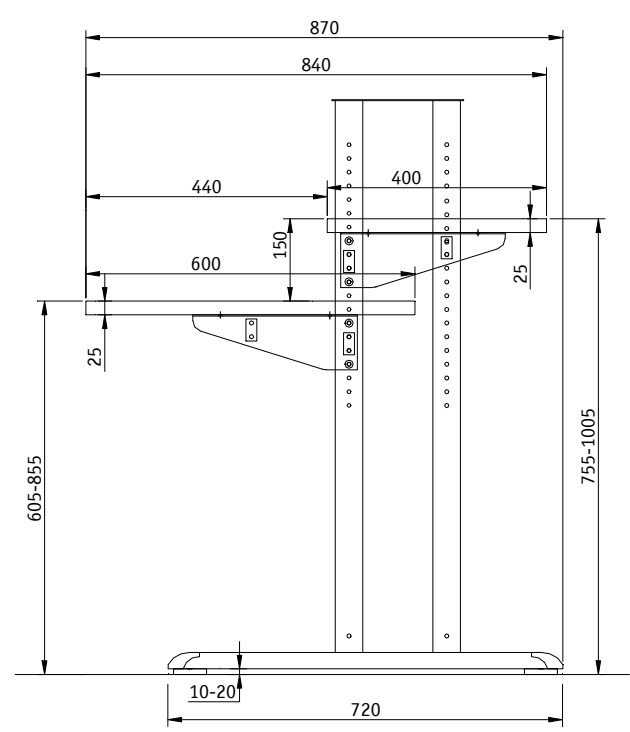
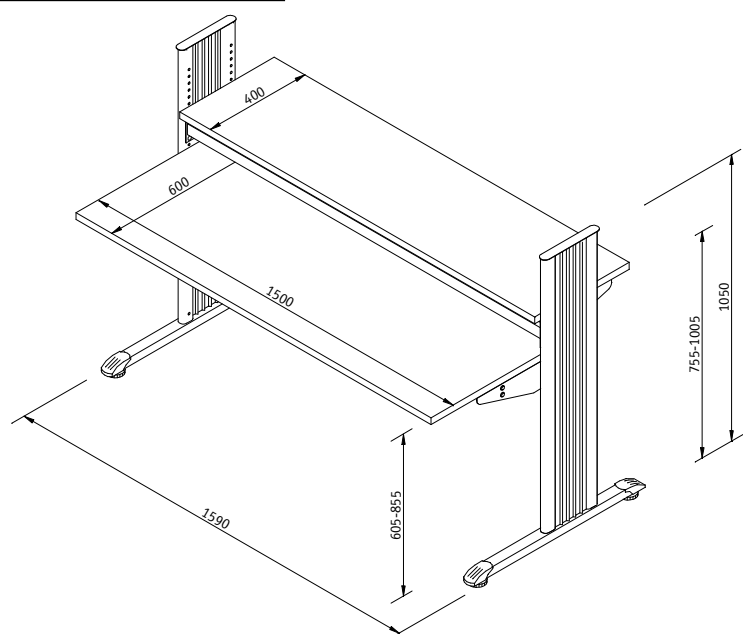
Dataflex®
is a registered
trademark of
VIKING A.C. EUROPE BV
P.O. Box 713
NL-2920 CA
Krimpen a/d IJssel



Split version



In line version



All dimensions in mm.